

one year limited warranty

Your Drive brand product is warranted to be free of defects in materials and workmanship for one year from the date of the original consumer purchase.

This device was built to exacting standards and carefully inspected prior to shipment. This One Year Limited Warranty is an expression of our confidence in the materials and workmanship of our products and our assurance to the consumer of dependable service.

In the event of a defect covered by this warranty, we will, at our option, repair or replace the device.

This warranty does not cover device failure due to owner misuse or negligence, or normal wear and tear. The warranty does not extend to non-durable components such as rubber accessories, casters, and grips, which are subject to normal wear and need periodic replacement.

If you have a question about your Drive device or this warranty, please contact an authorized Drive dealer.



WenzeliteRe/hab

© 2006 Medical Depot, Inc. All rights reserved.

Drive is a trademark of Medical Depot, Inc.

Port Washington N.Y. 11050 USA Made in China

trotter clear tray

Item # TR 8024



EU Authorized Representative
Drive Medical LTD
Ainley's Industrial Estate
Elland, West Yorkshire,
United Kingdom HX5 9JP

WenzeliteRe/hab

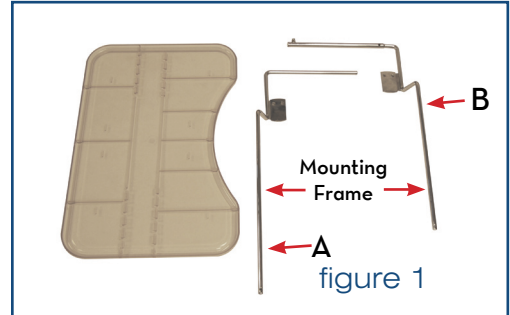
www.drivemedical.com

drive
MEDICAL DESIGN & MANUFACTURING



adjustments

1. Adjust depth by loosening knobs (Fig 3 D) and pushing or pulling tray to desired position.
2. Tighten knobs (Fig 3 D)



installation

1. Place tray on flat surface with bottom side of tray facing upward.
2. Insert top tube of mounting frame A (Fig 1) into top tube of mounting frame B.
3. Push frames together to its narrowest position.
4. Insert flat plates of mounting frame into groove (Fig 2) in the center of tray.
5. Loosen nuts (Fig 3 A).
6. Slide grooved end of mounting brackets over screws.
7. Snap front plastic clips (Fig 3 B) onto Trotter frame.
8. Tighten nuts.
9. Adjust mounting frame width to align with mounting bracket tubes (Fig 3 C).
10. Tighten screw (Fig 2 A).
11. Insert mounting frame into mounting bracket tubes.
12. Tighten knobs (Fig 3 D).

